



# Poly Phoenix Fibreglass Products cc

Co. Reg. No. 2006/028739/23

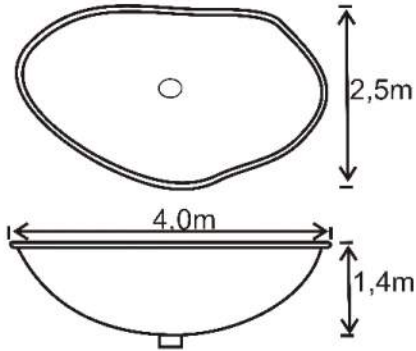
VAT Reg. No. 4570114845

P.O. Box 338  
Kempton Park  
1620

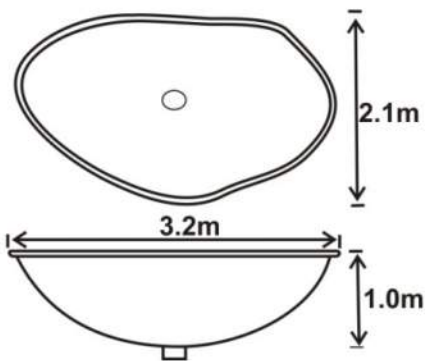
Tel: (011) 394 2220/1  
Fax: (011) 970 1382  
Email: [cheryl@phoenixpools.co.za](mailto:cheryl@phoenixpools.co.za)

## Koi Pond's

### Koi Pond {large}



### Koi Pond {medium}



### Koi Pond {small}

